

NSF Food Grade Highbay



MODEL: BB-GKD-XXXW-F

Features

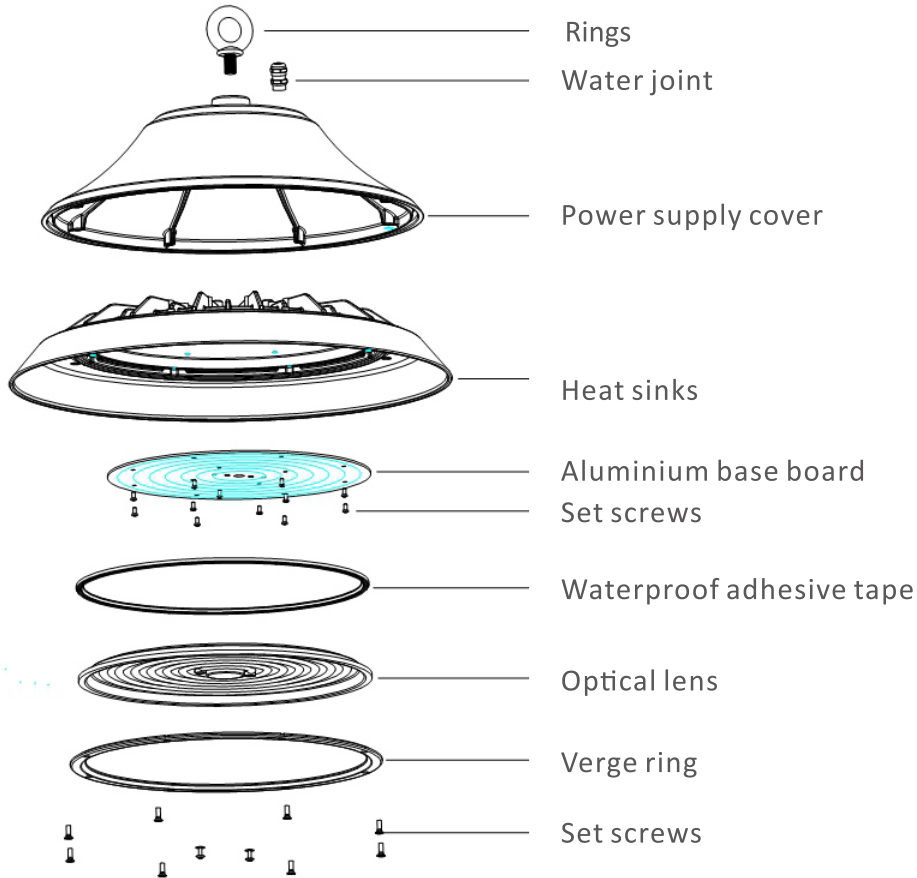
- ◆ Lumileds SMD LED
- ◆ High efficacy 150LM/W&190LM/W ;
- ◆ New private mold design ;
- ◆ AC100-277V/200-480V Optional;
- ◆ 60°90° beamangle;
- ◆ 70/80 CRI optional ;
- ◆ IP66 & IP69K, can be washed directly ;
- ◆ Operating temperature: -40°~+45°;
- ◆ 5 years warranty ;

Application:

- Food processing spaces
- Pharmace tical factory.
- Farm / animal buildings.
- Car wash
- Fresh shop
- Supermarket



Exploded view

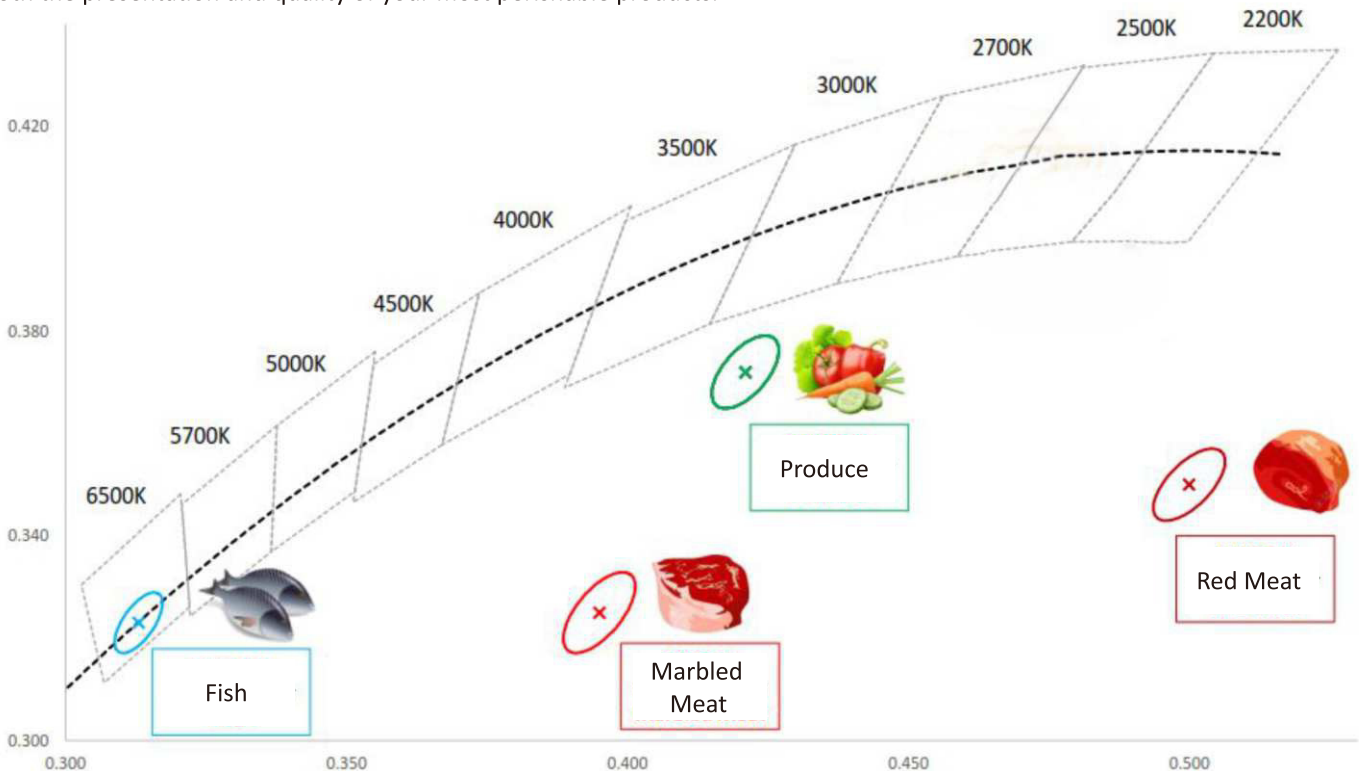


APPLICATION



Special applicaon-LED Fresh Food Light

Depending on different foods, food color and other factors, the different color schemes will be provided upon different application. Fresh food LED lighting recipes can help make the difference in your fresh food departments by improving both the presentation and quality of your most perishable products.



Performance data

Power	100W	150W	200W
Model	BB-GKD-100W-F	BB-GKD-150W-F	BB-GKD-200W-F
Luminous Flux	17000lm	25500lm	34000lm
Replacement	HPS 300W	HPS 500W	HPS 700W
Dimension(mm)	Ø300*H165	Ø360*H169	Ø400*H185
Net weight (No include power)	2.15kg	2.92kg	4.45kg
Beam Angle	60° , 90°		
Materials	Aluminum alloy+Tempered glass (Cover) +PC lens		
Luminous Efficacy	170lm/W (Available 190lm/W)		
Operation Temp	-40 to +45 C°		
CCT	2700K SW / 3000K WW / 4100K NW / 5000K DW / 5700K CW / 6500K SCW		
CRI	80+		
Life Span	50,000 hours at 25 C°		
Voltage	100-277VAC/50-60Hz, 200-480VAC/50-60Hz		
Driver	UL listed power supply		
Dimming	Available		
Sensor	Available		
Control System	APP,remote control,touch screen,light control and other control options available		
Cover	Tempered glass or PC		
Luminous Source	3030 SMD LED		
IP rating	Ip66 or Ip69k		
PF	≥0.95		
Warranty	5 Years		

Ordering Information

Example: BB-GKD-XXXW-F

Area Series	Watts	Version	Control	CCT	Voltage	Efficacy	Body color
BB-GKD	100W	F	A - No Sensor	SW-2700K	Blank- 100-277VAC	Blank- 150lm/W	W-White
	150W		B - Photocell Sensor	WW-3000K	HV- 200-480VAC	Available-190lm/W	B-Black
	200W		C - Motion Sensor	NW-4100K			G-green
				DW-5000K			O-Orange
				CW-5700K			
				SCW-6500K			

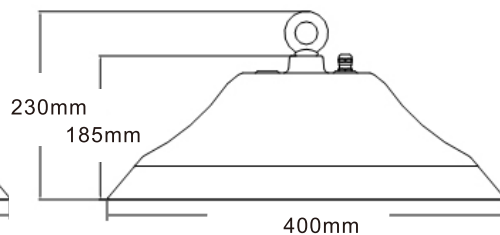
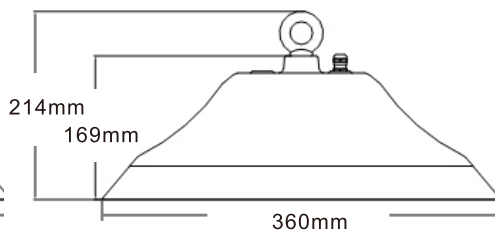
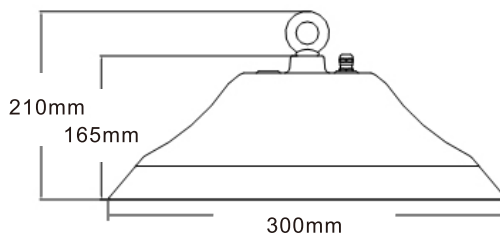
Notes: For OEM&ODM orders, pls inquiry sales team.

Optional Accessories



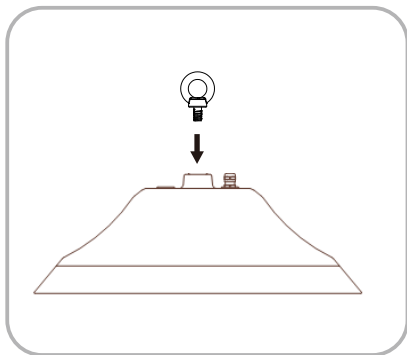
3/4"NPT Junction B x
USE:For Pendant installation
40PCS/Box

Dimension

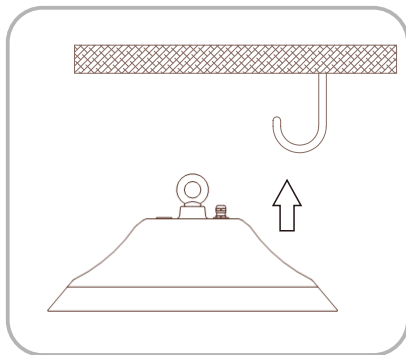


Installation

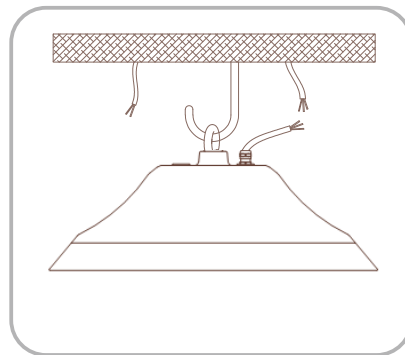
hook installation



1. Fix the ring to the lamp

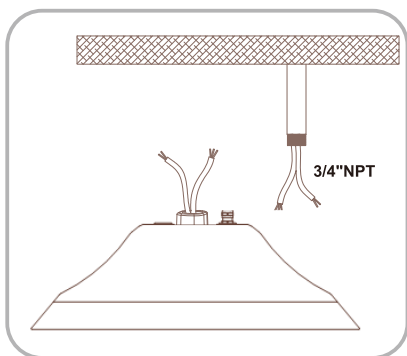


2. Put the ring into the mounting hook

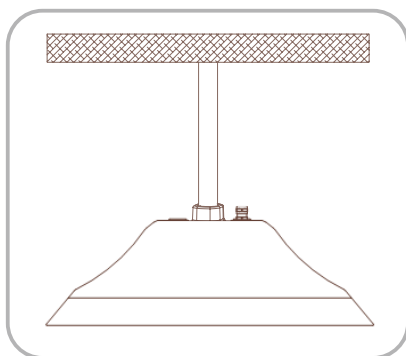


3. Wired as required under safety protection

Pendant installation



1. Wired as required under safety protection



2. Rotate the lamp to the mounting pipe (rotate clockwise)

Body color



White



Black



Orange



green

Package Info.

Model	Packaging	Carton Size(mm) (L*W*H)	N.W	G.W
100W	1pc/CTN	320*320*190mm	2.15KG	2.8KG
150W	1pc/CTN	380*380*190mm	2.92KG	3.5KG
200W	1pc/CTN	420*420*210mm	4.45KG	5.5KG

To reduce the risk of death, personal injury or property damage from fire, electric shock, falling parts, cuts/abrasions, and other hazards read all warnings and instructions included with and on the fixture box and all fixture labels.

Before installing, servicing, or performing routine maintenance upon this equipment, follow these general precautions.

Commercial installation, service and maintenance of luminaires should be performed by a qualified licensed electrician.

For The installation: If you are unsure about the installation or maintenance of the luminaires, consult a qualified licensed electrician and check your local electrical code.

To prevent wiring damage or abrasion, do not expose wiring to edges of sheet metal or other sharp objects.

Do not make or alter any open holes in an enclosure of wiring or electrical components during kit installation.

WARNING: RISK OF FIRE OR ELECTRICAL SHOCK

Turn off electrical power at fuse or circuit breaker box before wiring fixture to the power supply.

Turn off the power when you perform any maintenance.

Verify that supply voltage is correct by comparing it with the luminaire label information.

Make all electrical and grounded connections in accordance with the National Electrical Code and any applicable local code requirements.

All wiring connections should be capped with UL approved wire connectors.

CAUTION: RISK OF INJURY

Avoid direct eye exposure to the light source while it is on.

Account for small parts and destroy packing material, as these may be hazardous to children.

