

UFO LED HIGHBAY SERIES

BB-GKD-E10



HIGH LIGHT · DURABLE · SAVE COST
60W/100W/150W/200W

Parking area lighting/Workshop lighting/Warehouse lighting/Indoor stadium lighting/Factories lighting

Ultra-high efficiency
up to 140lm/W

BB-GKD-E10

LED ufo highbay lights is a device which are consist of aluminum alloy frame, LED light source model and driver. It can be a replacement of HID and other traditional light fixture, provided with higher efficacy, a longer lifetime 50,000H at least or even more upto100,000H and very lower breakdown opportunity, higher reliability and better cost than any light before. The high-performance, IP66-rated luminaire delivers a minimum of 140 lm/W, providing significant energy savings while remaining durable in the field.

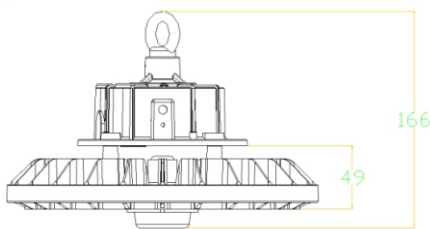


► Features

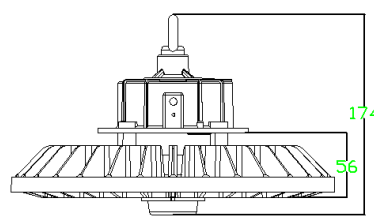
- ☑ European and American design style, high quality aluminum die casting, Surfacepainting process, never fade, anti-cracking.
- ☑ Adopt aerodynamic design, take heat away quickly, keep low temperature for heat sink and LED chip for longer lifespan and higher light efficiency.
- ☑ A variety of installation ways, Suitable for Hook/Ring,Chain,Pole,Bracket and so on. All the screws are 304stainless steel screws with stronger corrosion resistance ability
- ☑ Use branded led chip, high CRI, light efficiency up to 150 lm/W, low light decay and long lifespan.
- ☑ Through various of experimental tests: wind resistance level test, conduction radiation, 1.5G seismic test, UV aging test, drop, stacking test etc.
- ☑ Use waterproof connector can prevent wire drag, and Waterproof ip66 more reliable.
- ☑ 10KV anti-surge LED driver, installed on die casting cover of led driver, take heat away quickly to keep lower temperature and longer lifespan
- ☑ Beam Angle :60° 90° Lens

► Dimension

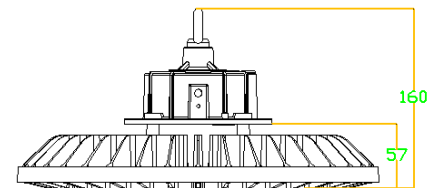
Units: mm



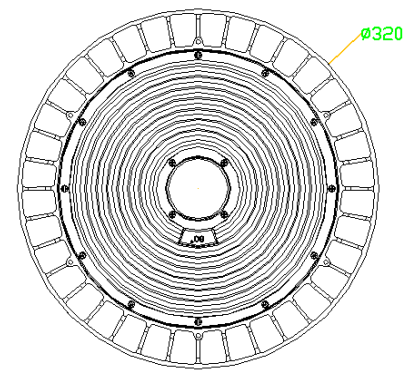
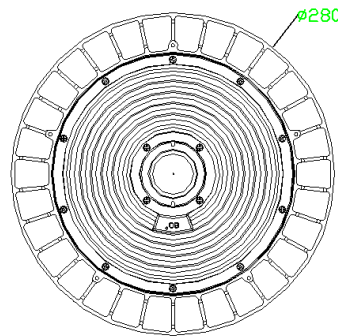
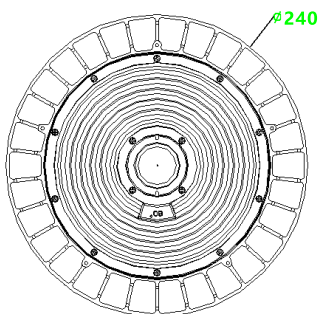
60W/100W



150W



200W



DATA SHEET

Power	60W	100W	150W	200W
Luminous Flux	10200lm	17000lm	25500lm	34000lm
Dimension(mm)	D240*H49	D240*H49	D280*H56	D320*H57
Net weight	1.6kg(3.52lb)	1.8kg(3.96lb)	2.13kg(4.69lb)	2.8kg(6.17lb)
Beam Angle	60°/90°			
Materials	Aluminum alloy+PC lens			
Luminous Efficacy	170lm/w;190lm/w optional			
Operation Temp	-40 to +45°C			
CCT	2700K SW/3000K WW /4100K NW/5000K DW/5700K CW /6500K SCW			
CRI	80+			
Life Span	50,000 hours at 25°C			
Voltage	100-277VAC/50-60Hz ,200-480VAC/50-60Hz			
Driver	UL listed power supply			
Dimming	Available			
Sensor	Microwave sensor available			
Control System	APP,Remte control,Touch screen,Light control and other control options available			
Cover	PC			
Luminous Source	3030 SMD LED			
IP rating	Ip66			
PF	>0.95			
Warranty	5 Years			

► Dimension

Model:BB-GKD-E10-ABCD-EFGH-IJ-KL,For example:BB-GKD-E10-100WLMD-50K8011-BKR-MW

Electric Character				Optics Character				Physical Character		Smart Optional	
A	B	C	D	E	F	G	H	I	J	K	L
Rated power	Input voltage	Driver brand	Dimming	CCT	CRI	LED CHIP	Beam Angle	Color	Installation	Sensor	Control System
60W 100W 150W 200W	L-100-277V H-200-480V	S-Sosen M-Meanwell I-Inventrnics	Blank-No Dim D-Dimmable	27K-2700K 30K-3000K 40K-4000K 50K-5000K 57K-5700K 65K-6500K	70-Ra70 80-Ra80 90-Ra90	1-Philips 2-Osram 3-HWX	1-60° 2-90°	BK-Black WH-White BR-Brown	R-Ring BR-bracket	N-No sensor M-Microwave Sensor	W-Without A-APP R-Remte control T-Touch screen

► Application case

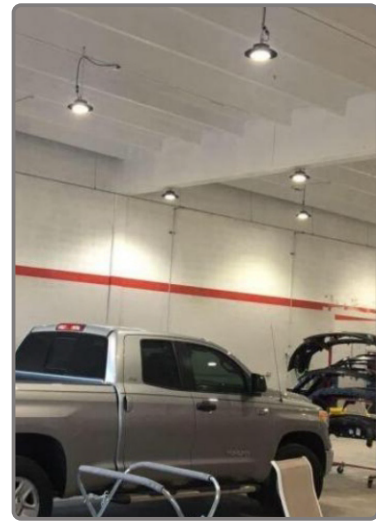
Parking area lighting/Workshop lighting/Warehouse lighting/Indoor stadium lighting/Factories lighting



• Warehouse lighting



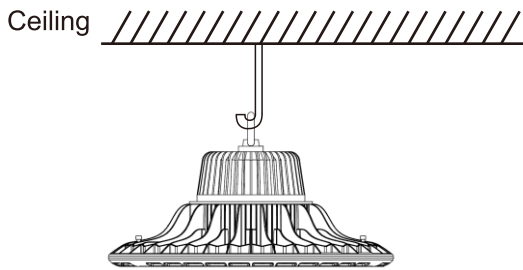
• Factories lighting



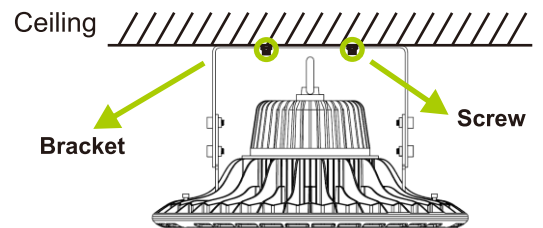
• Garage lighting

► Installation diagram

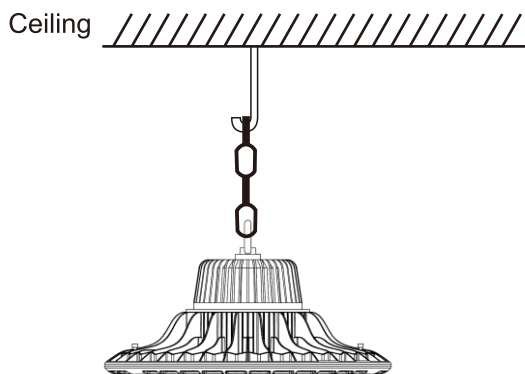
UFO LED Highbay Light has four kinds of installation:



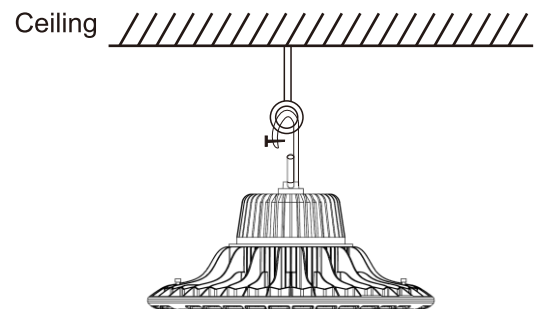
1.The suspension loop



2.Bracket type





3.Suspension chain




4.Hook hanger

- Turn off the power before installation.
- Wiring right in the wiring box and set the lamp into the bracket by the hole(Picture 1)
- We should fasten the eight screws with a hex wrench,and finished(Picture2)



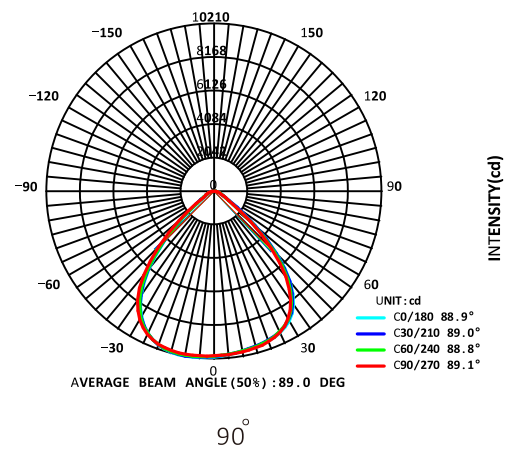
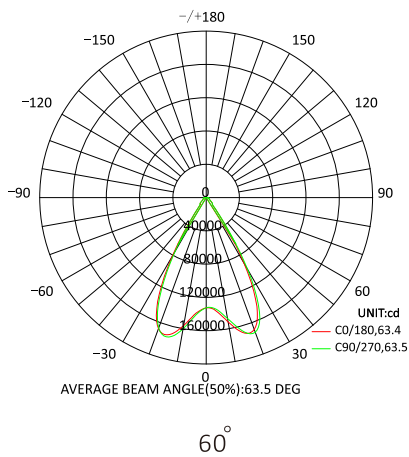


The luminaires are intended for outdoor/indoor use



All the operations must be in the condition of power off

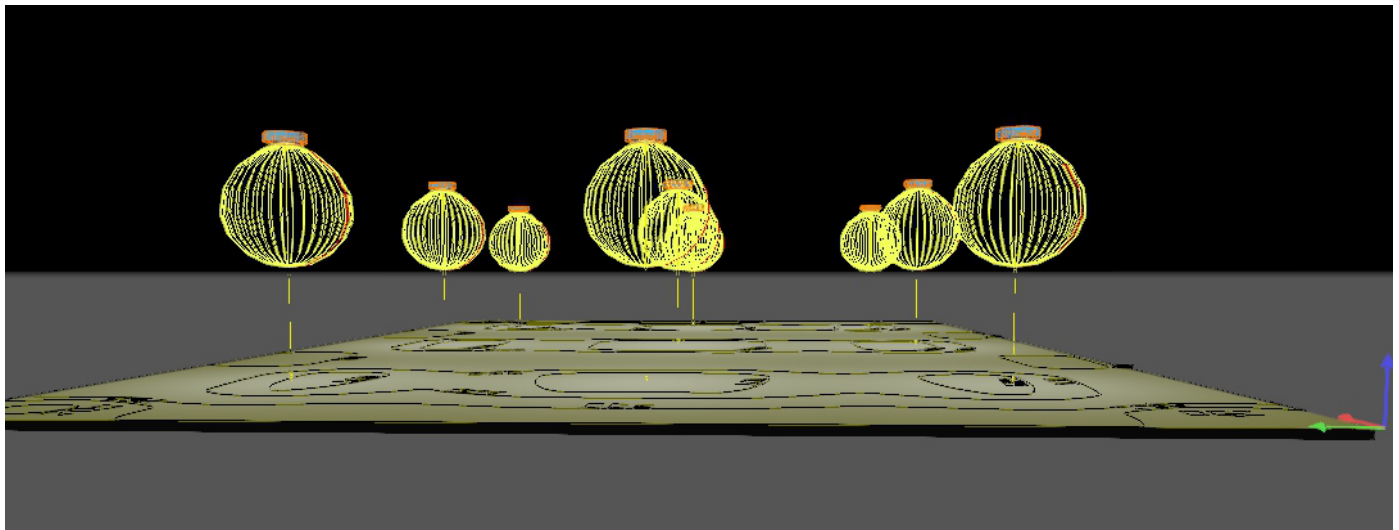
► Surface Of Intensity Distribution



► Optics

Tech.Support:

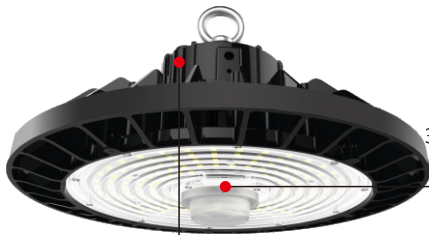
Tell us the place/L,W and usage,we have an engineer team to respond the DIALUX for lights quantity and effects, IES files are available upon request.



▶ SMART CONTROL DIAGRAMMATIZE

Free to change

- ▶ Microwave sensor
- ▶ PIR sensor
- ▶ CCT&Power Adjust



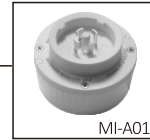
3 types of Sensor Head Options

Type A

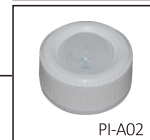


Microwave sensor
PIR sensor

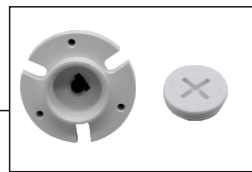
Free to change



Remote controller



Type B



Microwave sensor
PIR sensor

Free to change



APP control



Type C

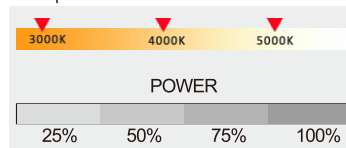


Microwave sensor
PIR sensor

Free to change



CCT&Power Adjust

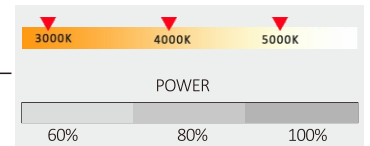


Type D



Power supply

CCT&Power Adjust



▶ Package

Item	Packaging	Carton Size(mm)	N.W	G.W
60W/100W	1pc/CTN	262*262*180	1.8kg (3.96lb)	2.0kg (4.40lb)
150W	1pc/CTN	305*305*190	2.13kg (4.69lb)	2.45kg (5.40lb)
200W	1pc/CTN	345*345*190	2.8kg (6.17lb)	3.3kg (7.27lb)