



LED Solar Area Light

BRIGHTEN YOUR LIFE

NEW LED TECHNOLOGY THAT ALLOWS THE
COEXISTENCE OF ENVIRONMENTAL
PROTECTION AND ENERGY SAVING

Benefits

- 1. Replace conventional Area Lights
- 2. Precision Die Cast Aluminum Housing
- 3. Fade Resistant Powder Coat Finish
- 4. Easy Installation
- 5. CE ROHS listed



15W
20W
25W

BB-SLD-XXX-AR-B1



20W
25W
40W

BB-SLD-XXX-AR-B2



50W
80W
100W

BB-SLD-XXX-AR-B3

Features

1. Beam angle:120 degrees.
2. Aluminum die-casting heat sinks is good for heat dissipation.
3. It's major to replace the conventiona area light.
4. Green, energy saving, long and reliable life of 50,000 hours.
5. No RF interference, No IR/UV radiation ,no mercury pollution.
6. Wide colour availability in degrees Kelvin(K),2700-6700K.
7. Streamline exterior design, beautiful appearance.
8. Environment friendly ,energy saving (70~80%).
9. Special circuit design, each LED work separately, avoiding the single broken LED influence problem.



Choice of styles

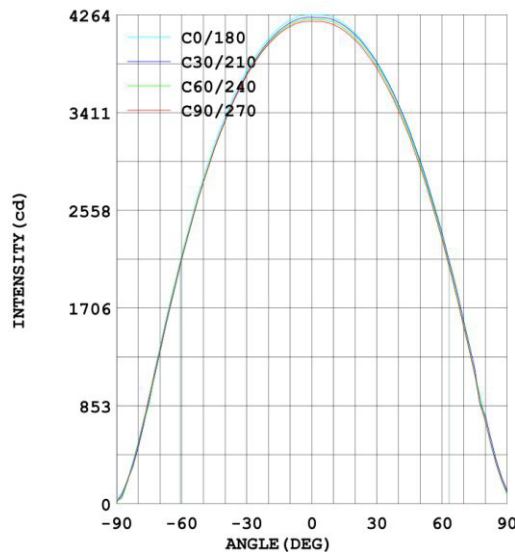
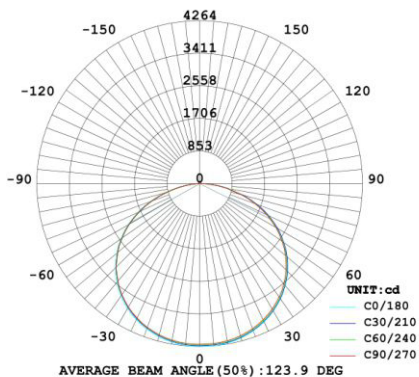
Two types of brackets are available



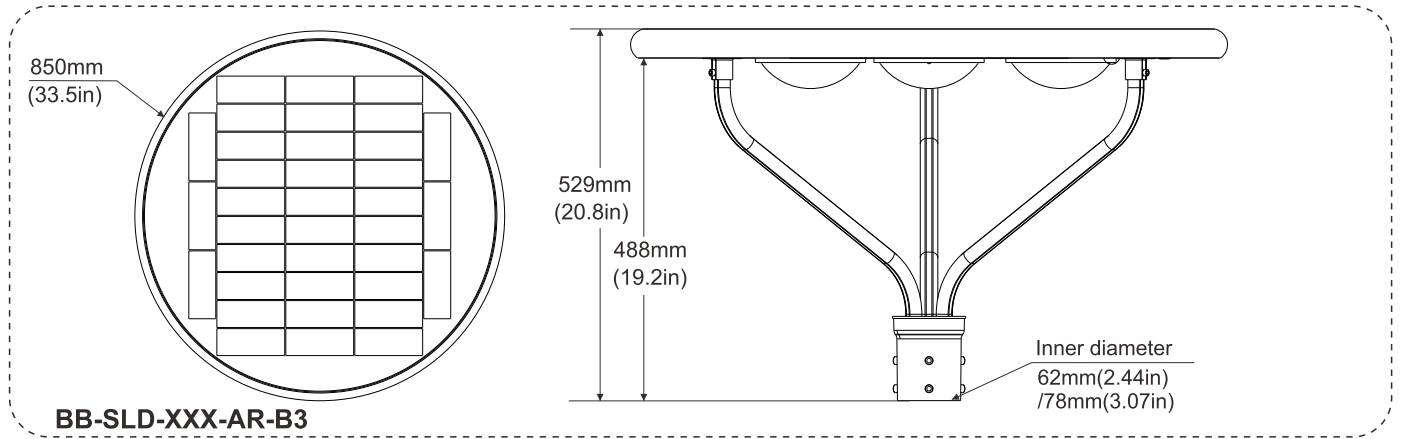
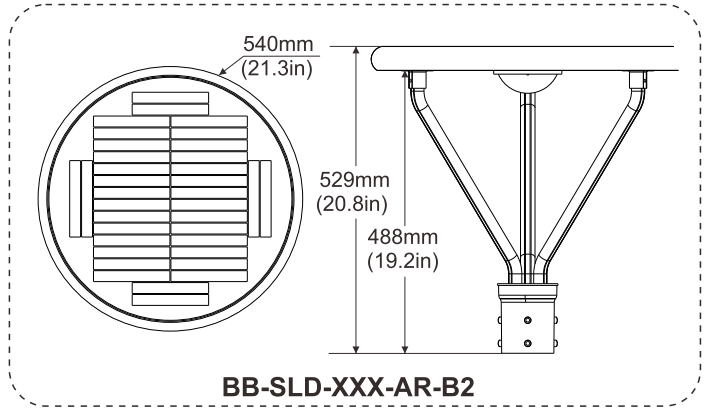
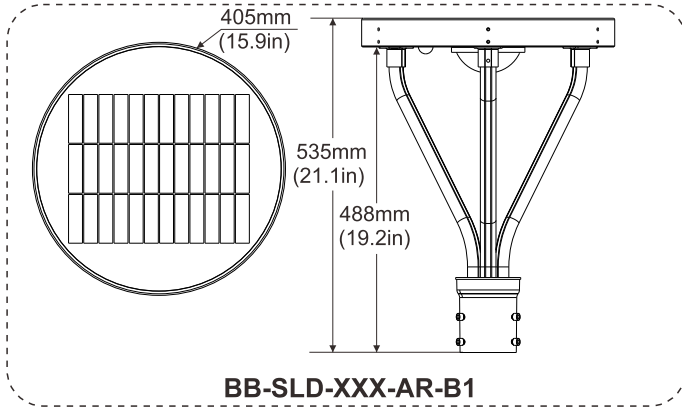
SPECIFICATIONS

LED MAX Power	15W	20W	25W	20W	25W	40W	50W	80W	100W
Model	BB-SLD-15W-AR-B1	BB-SLD-20W-AR-B1	BB-SLD-25W-AR-B1	BB-SLD-20W-AR-B2	BB-SLD-25W-AR-B2	BB-SLD-40W-AR-B2	BB-SLD-50W-AR-B3	BB-SLD-80W-AR-B3	BB-SLD-100W-AR-B3
Solar panel Max power	18V/18W	18V/27W	18V/30W	18V/27W	18V/30W	18V/45W	18V/60W	18V/100W	18V/120W
Battery capacity	12.8V/6AH	12.8V/20AH	12.8V/18AH	12.8V/20AH	12.8V/18AH	12.8V/24AH	12.8V/24AH	12.8V/30AH	12.8V/36AH
Luminous Flux	2250lm	2400lm	3000lm	3000lm	3750lm	5000lm	7500lm	9600lm	12000lm
Luminous Efficacy	150lm/w	120lm/w	120lm/w	150lm/w	150lm/w	120lm/w	150lm/w	120lm/w	120lm/w
Mounting Height	3-4m	3-5m	3-5m	3-5m	3-5m	6-7m	8-9m	9-10m	9-10m
Space Between Light	5-10m	10-15m	10-15m	10-15m	10-15m	15-20m	20-30m	30-40m	40-50m
Solar Panel Dimension	Dia405*41mm			Dia540*41mm			Dia850*41mm		
Sensor	Default:PIR Sensor&Time Controller together.								
Controller	PWM controller, MPPT controller optional								
Battery	Ternary Li-ion battery, LiFePO4 battery optional								
Discharge Time	More than 10-12hours								
Charge Time	6-7hours(with enough strong shine)								
Solar Cell	High efficiency imported silicon solar cell								
Light Source	SMD LED								
Operation Temp.	-40 to +45℃								
CCT	2700K SW / 3000K WW / 4100K NW / 5000K DW / 5700K CW								
Life Span	50,000 hours								
IP	65								
Beam Angle	120°								
Warranty	3Years								
Other	Mains complementary solar energy is available,pls contact sales for this function price.								

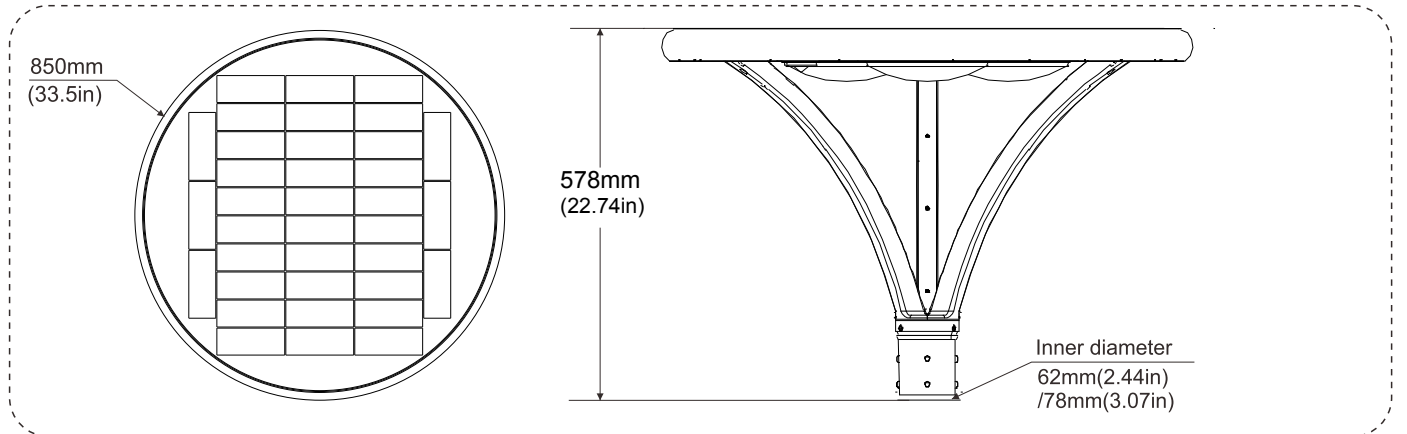
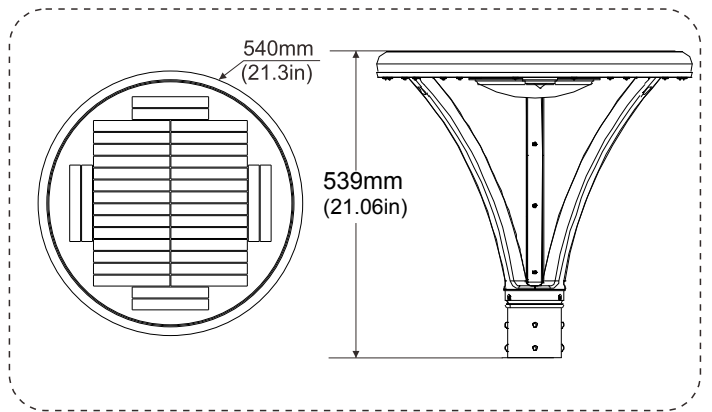
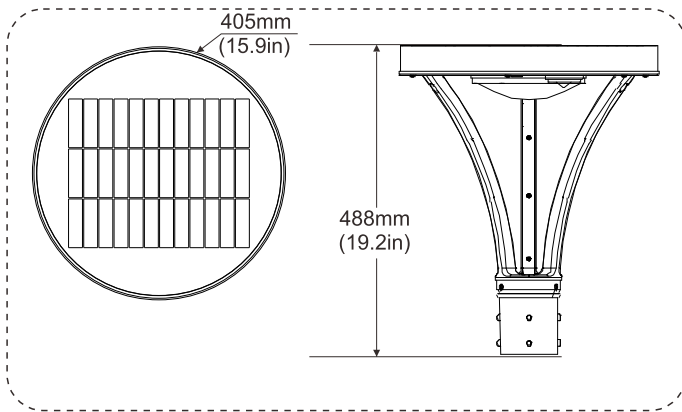
LUMINOUS INTENSITY DISTRIBUTION



DIMENSIONAL DRAWING



A-Bracket



B-Bracket

Application

- 1.Area roadway/roadway lighting.
- 2.Parking areas lighting.
- 3.Airports lighting.
- 4.Streetscapes lighting.
- 5.Campuses lighting.



PROJECTS

By using our 25W Area Light to replace 75W Metal Halide bulb for parking area lighting fixtures, the customer is now able to save a lot per month from his electric bill.



Replace



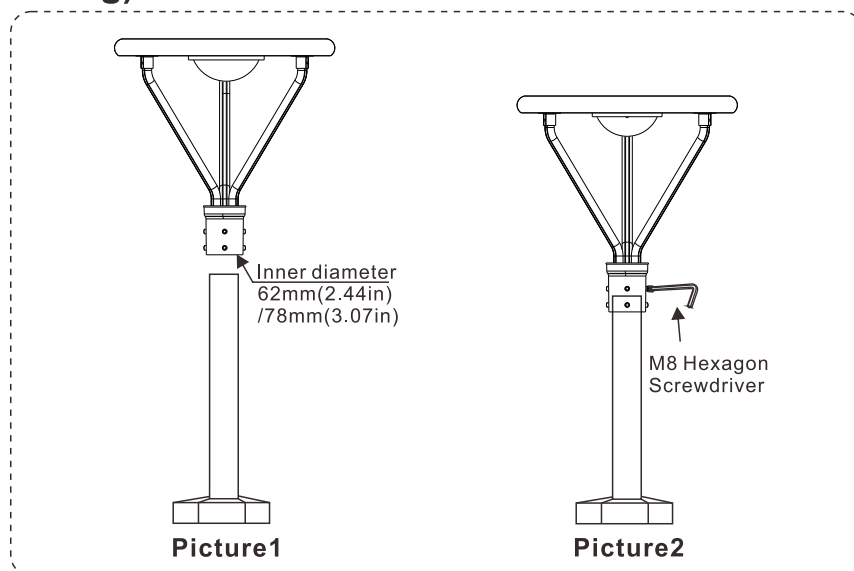
25W LED = 75W MH

Note :

- Don't take the LED lamp apart.
- The LED lamp must work under the right voltage according to the specification.

INSTALLATION

Pole mounting(no wiring)



Step1: Turn off the power before installation.

Step2: Secure the Tenon Pole Adaptor and pole with 6 screws.

Step3: Check that all screws are not loose ,and then complete the pole mounting.

WORKING CHARACTERISTICS

Default setting as below :

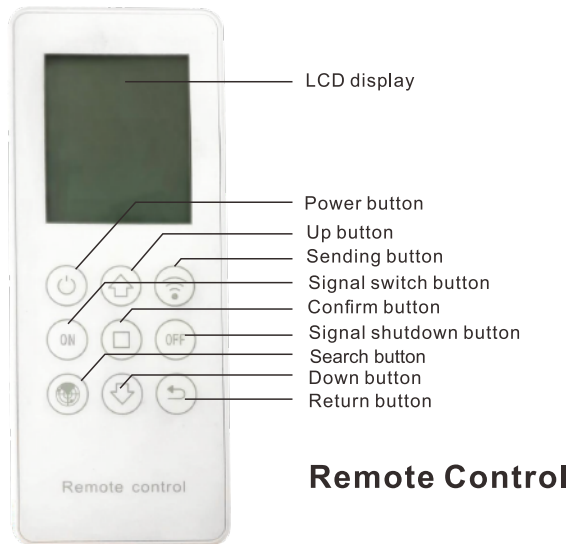
Timmer Control & PIR Sensor Control

- 1.If with insufficient ambient light,sensored dark,lamp will on. First Time Phase 4 hours ,
When motion is detected,it will 100% brightness. When no motion detected after hold
time 60s, and then switches to 30% brightness after stand-by period.
- 2.Second Time Phase 3 hours.When motion is detected,it will 70% brightness.
When no motion detected after hold time 60s,and then switches to 30% brightness
after stand-by period.
- 3.Third Time Phase 3 hours.When motion is detected,it will 50% brightness.
When no motion detected after hold time 60s, and then switches to 30% brightness
after stand-by period.
- 4.Forth Time Phase 6 hours.When motion is detected,it will 70% brightness.
When no motion detected after hold time 60s,and then switches to 30% brightness
after stand-by period.
- 5.While sensed daytime,lamp will off.

Note : IoT Smart Control , MPPT Smart Control all available in 20w 25w 40w 50w 80w 100w. If you
need know more,pls contact salesman.

Remote Control

The remote control is not provided by default, If you need, please contact sales.



Accessories

Optional: Anti-bird net

If necessary, please contact sales.

Function: Prevent birds from staying on the lamp and affect the work of the lamp.



PACKING INFO



Item	Packaging	Carton Size(mm) (L*W*H)	N.W	G.W	Volume weight
B1:15W/20W/25W	1pc/CTN	480*480*170mm	6.5kg	8.0kg	8.0kg
B2:20W/25W/40W	1pc/CTN	590*590*170mm	9.2kg	10.5kg	12.0kg
B3:50W/80W/100W	1pc/CTN	920*920*180mm	18.2kg	19.9kg	31.0kg