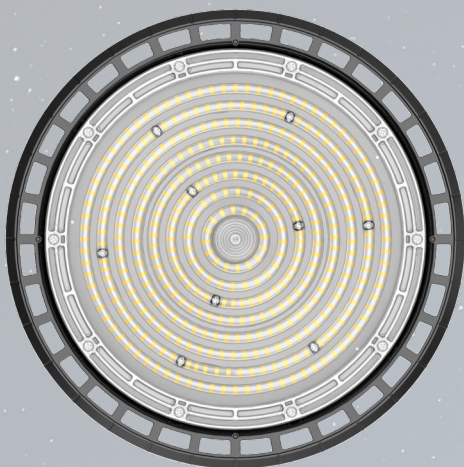
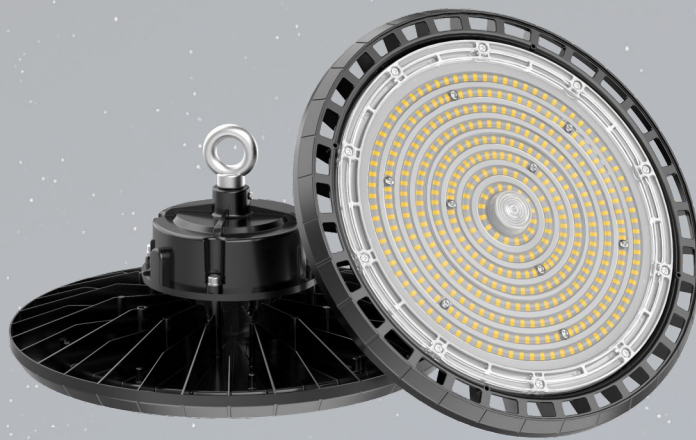
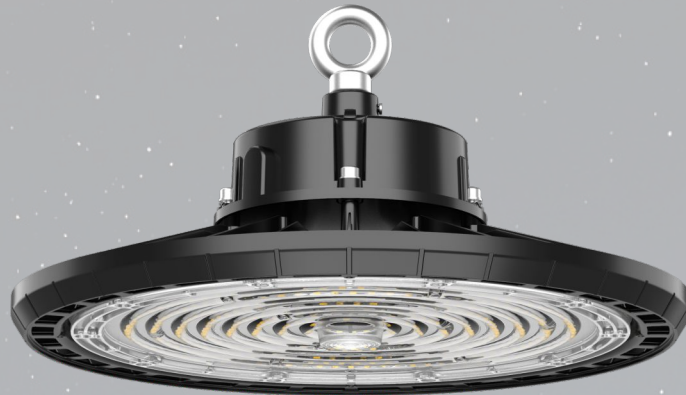




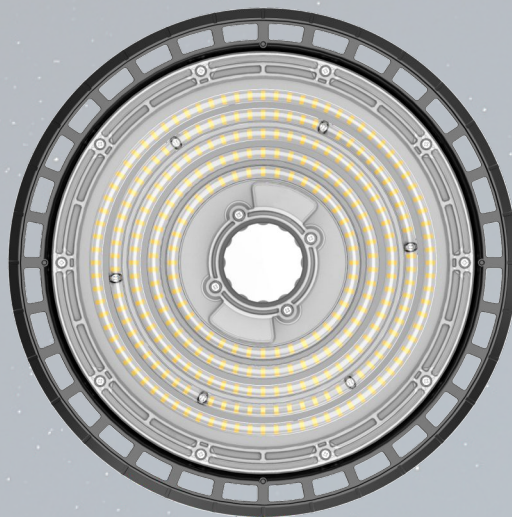
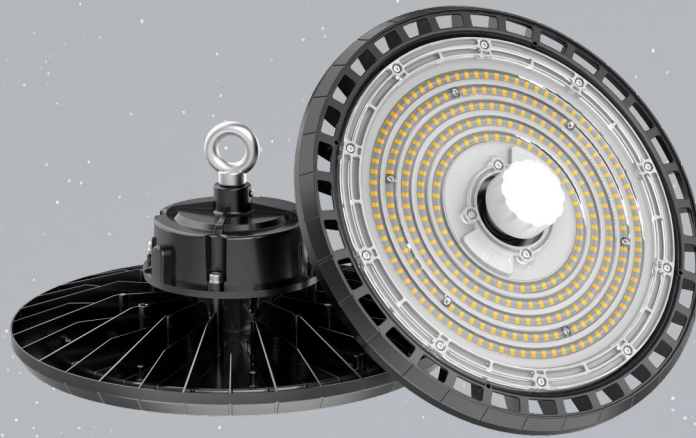
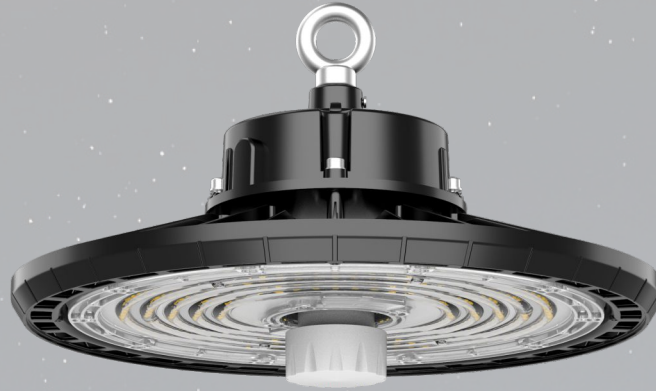
# LED BAY LIGHT SERIES

BB-GKD-E6

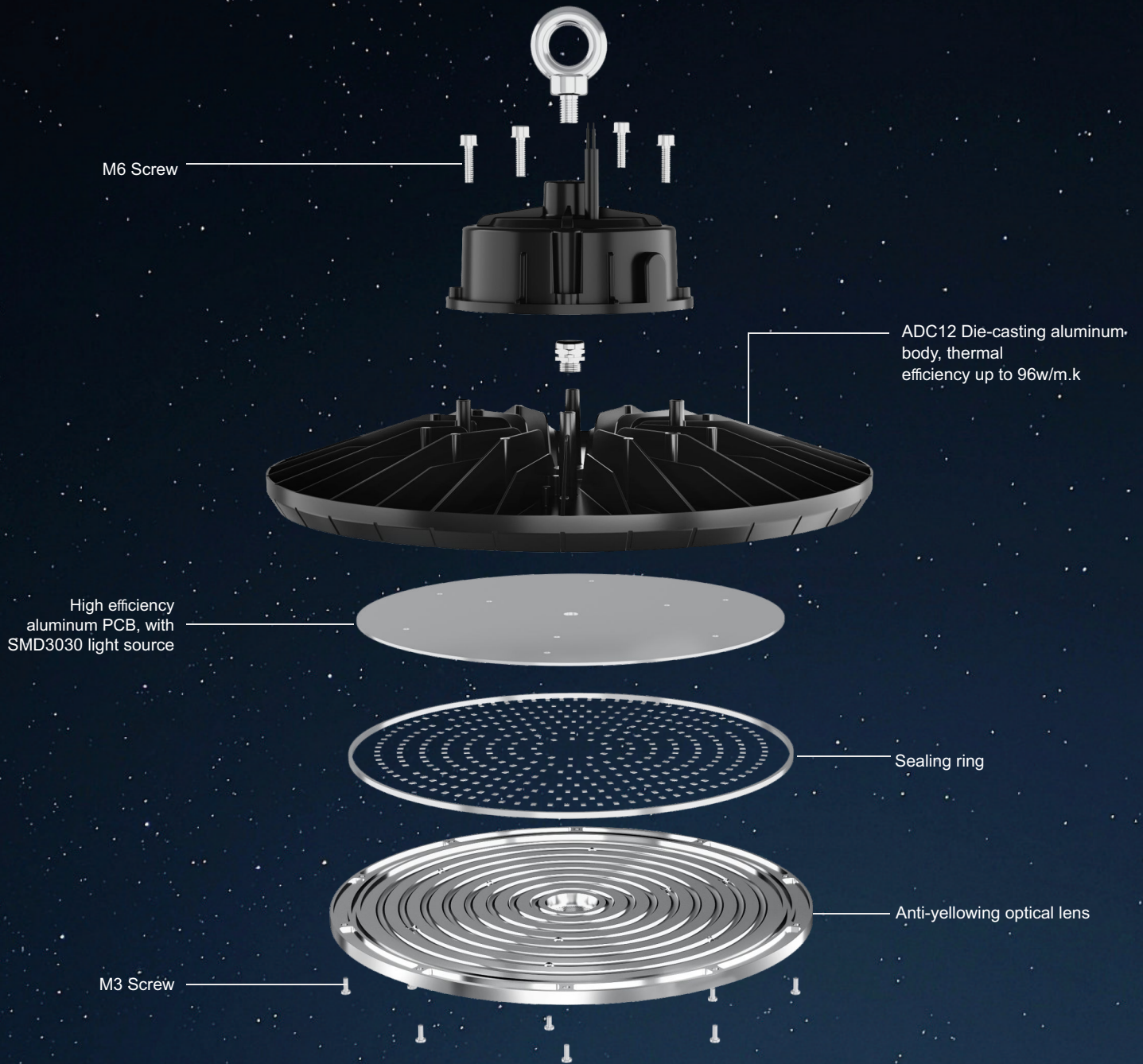
■ PRODUCTS OVERVIEW



■ **PRODUCTS OVERVIEW** (Microwave Sensor)

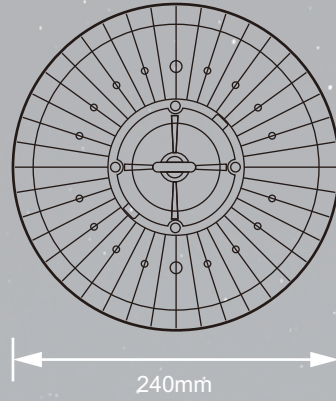
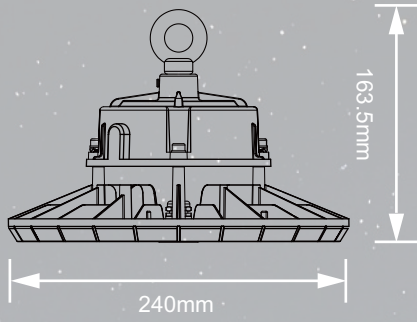


■ **PRODUCT EXPLODED**

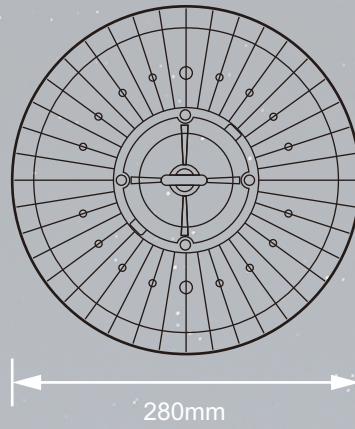
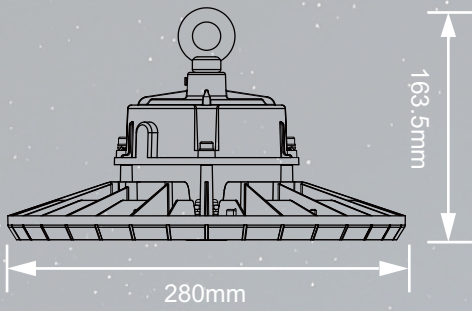


■ **PRODUCT DIAGRAM**

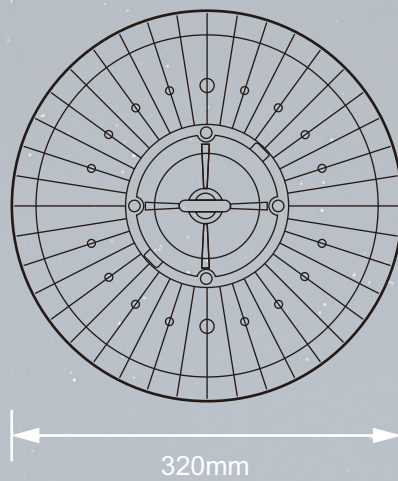
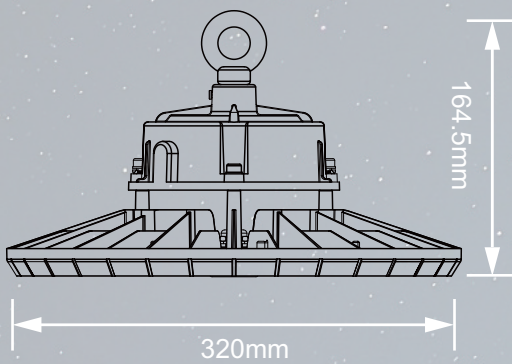
100W



150W



200W



## PRODUCT PARAMETER



100W



150W



200W

power	Size (mm)	Net weight	Light efficiency	Carton size
100W	Φ240*53	1750g	15000lm	290*290*170
150W	Φ280*53	2400g	22500lm	340*340*175
200W	Φ320*53	2860g	30000lm	390*390*180

## LIGHT DISTRIBUTION

