

LED MULTIFUNCTIONAL WORKING LIGHT



MODEL: BB-HJD-XXXW-Q2



Strong magnetic force
Install on the iron



U clamp
Adjustable steel clamp



Portable bracket
Easy to move

► Features

What makes it unique is its versatility. Use it as task lighting on a tripod to illuminate an entire room. Clamp it to scaffolding on skyscrapers. Place it on a metal beam in an attic. Even daisy-chain it as part of the LED Jobsite System for large area lighting. Whatever your project lighting needs will meet it. Illuminating brightness Large range, high brightness, long range, long life of the bulb, The average service life is more than 50000 hours. Stainless Steel guard outdoor emergency lighting plug-in-Play. Die cast aluminum lamp body. Air convection design between up and down of the lamp, promoting the heat dissipation function so that could ensure the lamp lifespan with a variety of installation. Optional: tripod installation, chain installation, suspension installation, magnet installation, The luminaire could be linkable (80W max link 9pcs; 100w max link 7pcs; 120W max link 6pcs; 150W max link 5pcs.)

- ✓ 1. Beam angle: 360 degrees.
- ✓ 2. Aluminum heat sinks and active air exchanging cooling system in order to speed up heat dissipation.
- ✓ 3. It's major to replace the CFL/MH/HID/HPS.
- ✓ 4. Green, energy saving, long and reliable life of 50,000 hours.
- ✓ 5. No RF interference, No IR/UV radiation, no mercury pollution.
- ✓ 6. Streamline exterior design, beautiful appearance.
- ✓ 7. Environment friendly, energy saving (70-80%).
- ✓ 8. Special circuit design, each LED works separately, avoiding the single broken LED influence problem.
- ✓ 9. Mounting options can be easily changed with no special tools.

► Product picture



MODEL:BB-HJD-XXXW-Q2

DATA SHEET

Power	20W	40W	60W	80W
Model	BB-HJD-20W-Q2	BB-HJD-40W-Q2	BB-HJD-60W-Q2	BB-HJD-80W-Q2
Luminous Flux	3000lm	6000lm	9000lm	12000lm
Replacement	HPS 80W	HPS 150W	HPS 200W	HPS 300W
Light Source	SMD LED 2835			
Luminous Efficacy	≥150lm/w			
Options	1.The connector is optional. 2.With emergency power(After the power failure, make sure the lamp can still work for 1.5h).			
Operation Temp.	-40 to +45°C			
CCT	2700K SW / 3000K WW / 4100K NW / 5000K DW / 5700K CW / 6500K SCW			
CRI	80+			
Life Span	50,000 hours at 25°C			
Voltage	100-277VAC/50-60Hz 200-480VAC/50-60Hz available			
Driver	Internal Power Supply.Emergency power supply is optional			
Dimming	Standard: Not dimmable; Dimmable optional.			
Sensor	Standard: No sensor; Microwave sensor optional.			
Remote Control	Standard: No remote; Remote control optional.			
Beam Angle	360°			
Cover	Transparent cover(default)			
Lamp Base	1.Suspension loop 2.Lifting hook 3.Floor stand 4.U clamp 5.Magnetic bracket 6.Portable bracket 7.With 4-8' tripod			
PF	>0.95			
Warranty	5Years			

► Model Nomenclature

Model:BB-HJD-Q2-ABC-EFGH-I,For example:BB-HJD-Q2B-60WLD-27K90BLE-3

Electric Character			Optics Character				Physical Character
A	B	C	E	F	G	H	I
Power	Input voltage	Dimming	CCT	CRI	LED CHIP	Emergency power supply	Installation
20W 40W 60W 80W	L-100-277V H-200-480V	Blank-No Dim D-Dimmable	27K-2700K 30K-3000K 40K-4000K 50K-5000K 57K-5700K 65K-6500K	70-Ra70 80-Ra80 90-Ra90	Blank-2835 LED	Blank-Without E-Emergency power supply	1.Suspension loop 2.Lifting hook 3.Floor stand 4.U clamp 5.Magnetic bracket 6.Portable bracket 7.With 4-8' tripod

► Application case

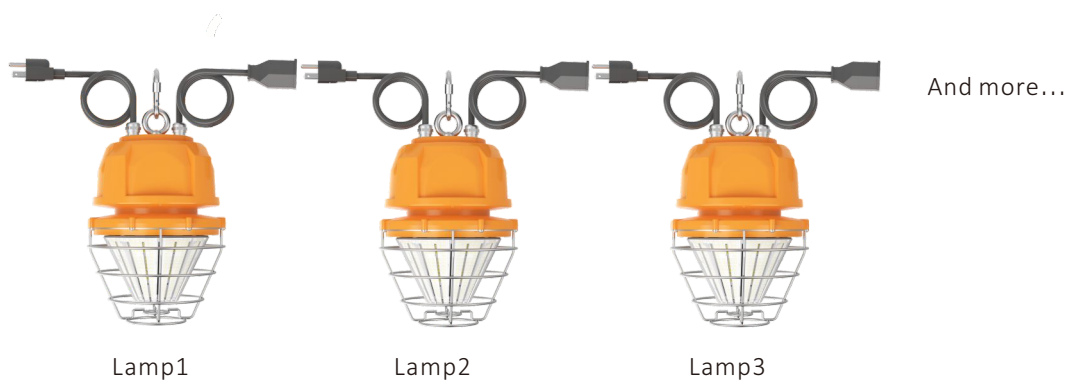
Temporary lighting, engineering decoration, outdoor temporary lighting and so on



► With Connector

The connector is optional. Customers can choose according to their needs.

If necessary, please contact sales.



- The luminaire could be linkable series data table

Power	Voltage	Max Link Qty	Voltage	Max Link Qty	Voltage	Max Link Qty
150W	110V	5PCS	230V	10PCS	277V	12PCS
120W	110V	6PCS	230V	13PCS	277V	16PCS
100W	110V	7PCS	230V	16PCS	277V	19PCS
80W	110V	9PCS	230V	20PCS	277V	24PCS
60W	110V	12PCS	230V	26PCS	277V	32PCS
40W	110V	19PCS	230V	40PCS	277V	48PCS

► Install options

Below is a list of the mounting versions of the work light. Mounting options can be easily changed with no special tools.

To buy more than one mounting option for your light, please contact us.



1.Suspension loop

- Chain suspension mounting



2.Lifting hook

- Easy to install, flexible installation



3.Floor stand

- With floor stand , Put it on the floor



4.U clamp

- With clamp mount , Clamp the lamp to the pole.



5.Magnetic bracket

Install on the iron items any Angle



6.Portable bracket

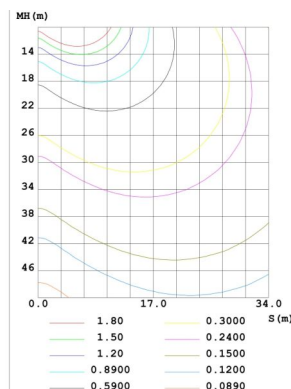
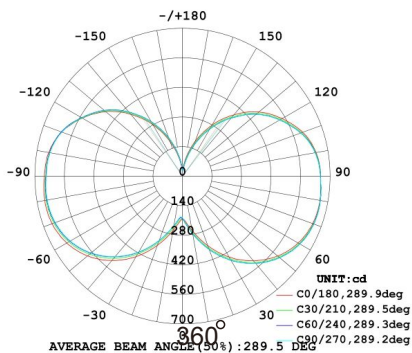
- Hold by hand or install on the board/wall.



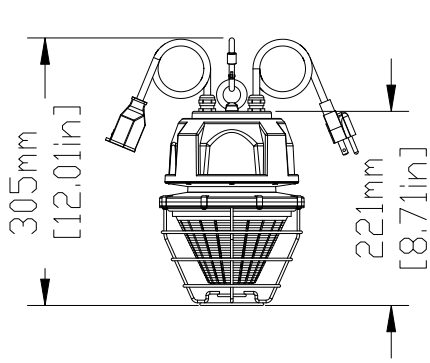
6.With 4-8' tripod

- High and low adjustment

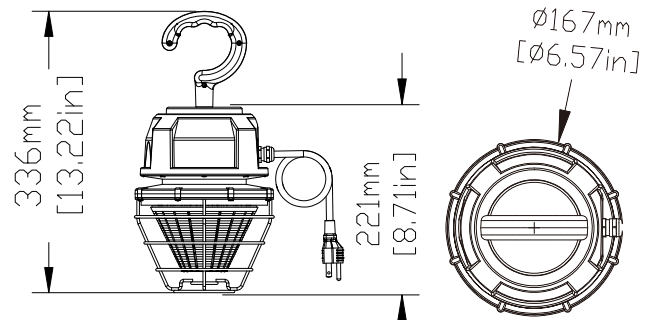
► Surface Of Intensity Distribution



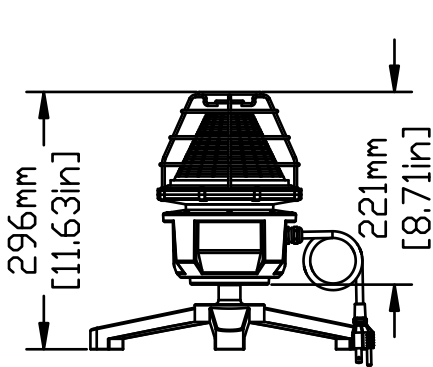
► Dimension



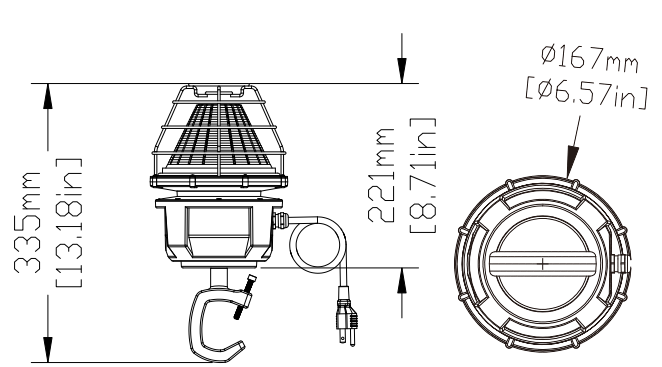
1. Suspension loop



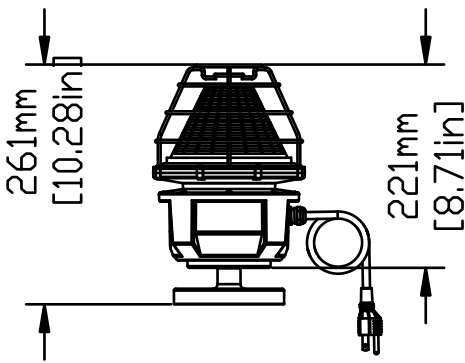
2. Lifting hook



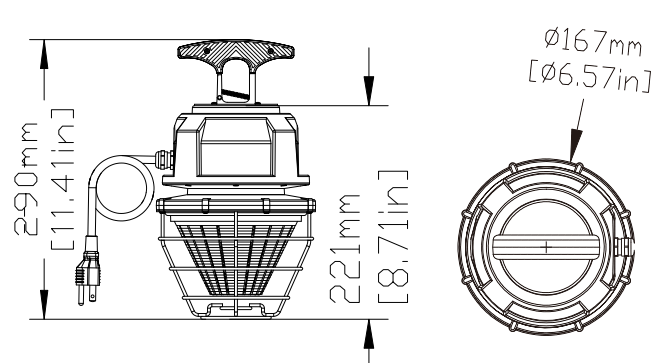
3. Floor stand



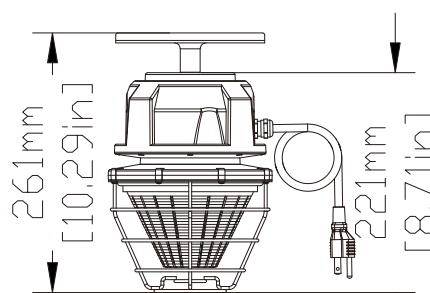
4. U clamp



5. Magnetic bracket



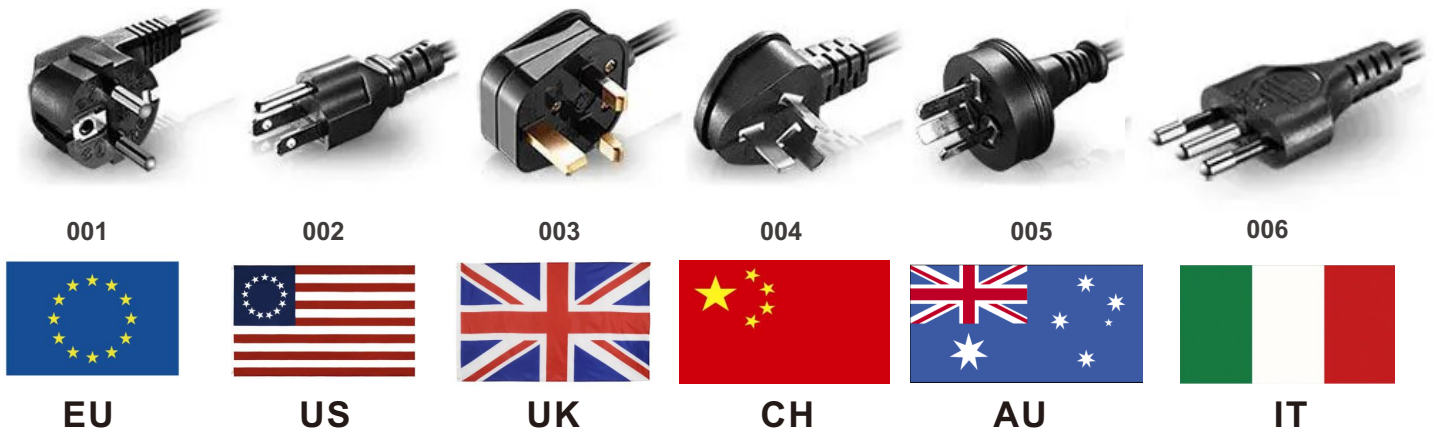
6. Portable bracket



7. Ceiling mounting

▶ Plug

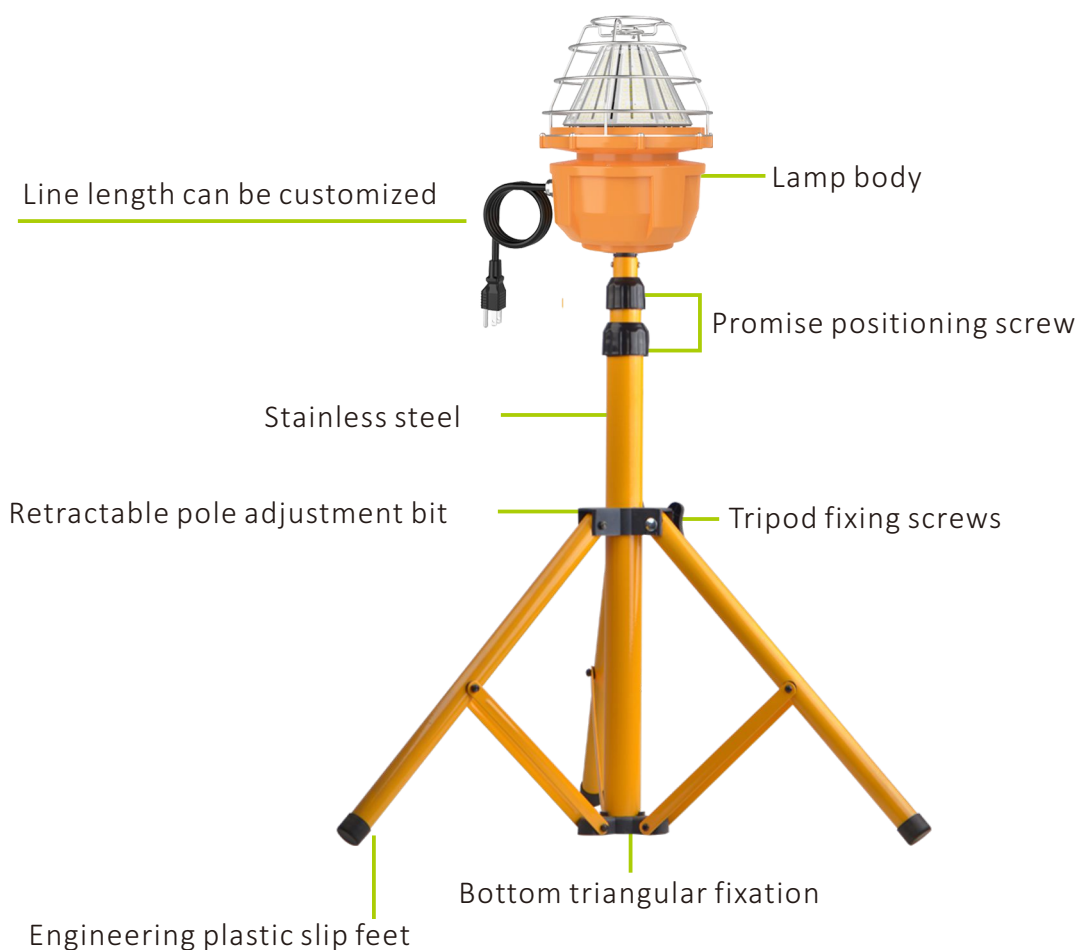
Plug can be optional as required ,Please contact sales.



▶ More Details

Tripod stand is optional(Adjustable height 0.6m~1.6m).

Customers can choose according to their needs.If necessary, please contact sales.



▶ Packing info

Items	Packaging	Carton Size(mm) (L*W*H)	N.W	G.W	Volume weight
All Items	6pcs/CTN	610*430*420mm	13.4kg	14.5kg	22.0kg

