



SOLAR LED BILLBOARD LIGHT

HIGH LIGHT · DURABLE · SAVE COST

Suitable for Billboard/Parks/Gardens/ Squares/ Outdoor parking lots/ Residential areas/Villa gardens/Industrial parks/Road lighting/ Lake landscape lighting

LED solar Billboard lights is a device which are consist of aluminum alloy frame, LED light source model and driver. It can be a replacement of HID and other traditional light fixture, provided with higher efficacy, a longer lifetime 50,000H at least or even more upto 100,000H and very lower breakdown opportunity, higher reliability and better cost than any light before. The high-performance, providing significant energy savings while remaining durable in the field.

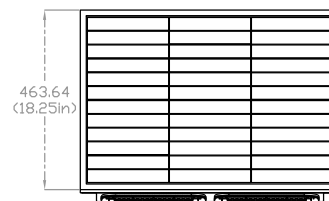
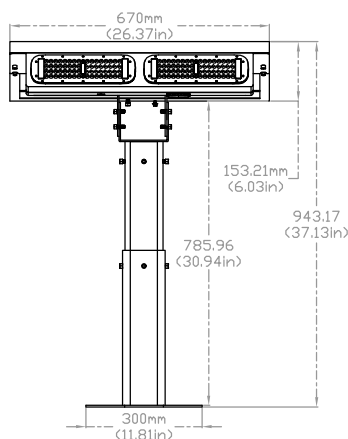
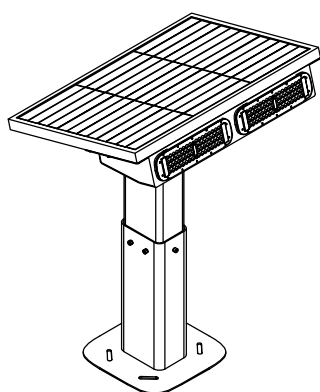


► Features

- ☑ Surface painting process, never fade, anti-cracking.
- ☑ Adopt aerodynamic design, take heat away quickly, keep low temperature for heat sink and LED chip for longer lifespan and higher light efficiency.
- ☑ All the screws are 304 stainless steel screws with stronger corrosion resistance ability
- ☑ Use branded led chip, high CRI, low light decay and long lifespan.
- ☑ Through various of experimental tests: wind resistance level test, conduction radiation, 1.5G seismic test, UV aging test, drop, stacking test etc.
- ☑ Use waterproof connector can prevent wire drag.
- ☑ Installed on die casting cover of led driver, take heat away quickly to keep lower temperature and longer lifespan

► Dimension

Unit: mm



MODEL: BB-SLD-35W-FL

DATA SHEET

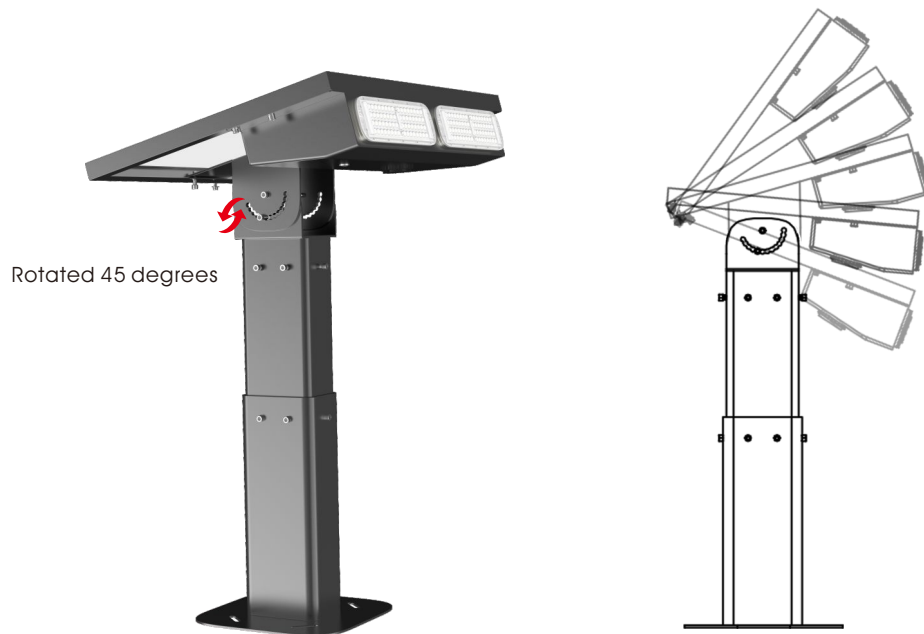
Power	35W
Model	BB-SLD-35W-FL
Luminous Flux	5250lm
Dimension(mm)	943X670X463
Net weight	6.1kg(14.33lb)
Beam Angle	120°
Materials	Aluminum metal+PC lens
Luminous Efficacy	150lm/W
Operation Temp	-40 to +45°C
CCT	2700K SW/3000K WW /4100K NW/5000K DW/5700K CW /6500K SCW
Solar panel Max power	18V50W
Controller	PWM controller, MPPT controller optional
Battery	Ternary LiFePO4 Li-ion battery, Li-ion battery optional!
Discharge Time	More than 10-12hours
Charge Time	6-7hours(with enough strong shine)
Sensor	Default:PR Sensor&Time Controller together
Control System	Without
Cover	PC
Luminous Source	SMD LED
IP rating	Ip65
Warranty	3 Years
Other	Mains complementary solar energy is available,pls contact sales

▶ Application case

Suitable for Billboard/Parks/Gardens/ Squares/ Outdoor parking lots/ Residential areas/Villa gardens/Industrial parks/Road lighting/ Lake landscape lighting



▶ Detail



▶ Package



Packaging unit	Carton Size(mm) (L*W*H)	N.W	G.W	Volume weight
1pc/CTN	605*370*135mm	6.1kg	6.9kg	7.6kg